

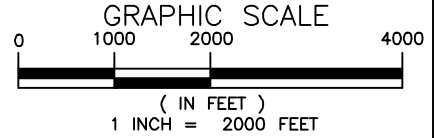
© OPEN STREETMAP (AND) CONTRIBUTORS, CC-BY-SA

**23-WL-0496**  
**202360790**  
**178539**  
**1/26/24**  
**MT**  
**1 of 5**

**TUCKER STREET BOAT RAMP  
 AT  
 TUCKER STREET  
 ANNAPOLIS, ANNE ARUNDEL COUNTY**

APPL. BY: CITY OF ANNAPOLIS DPW C/O BURR M. VOGEL

**VICINITY MAP**

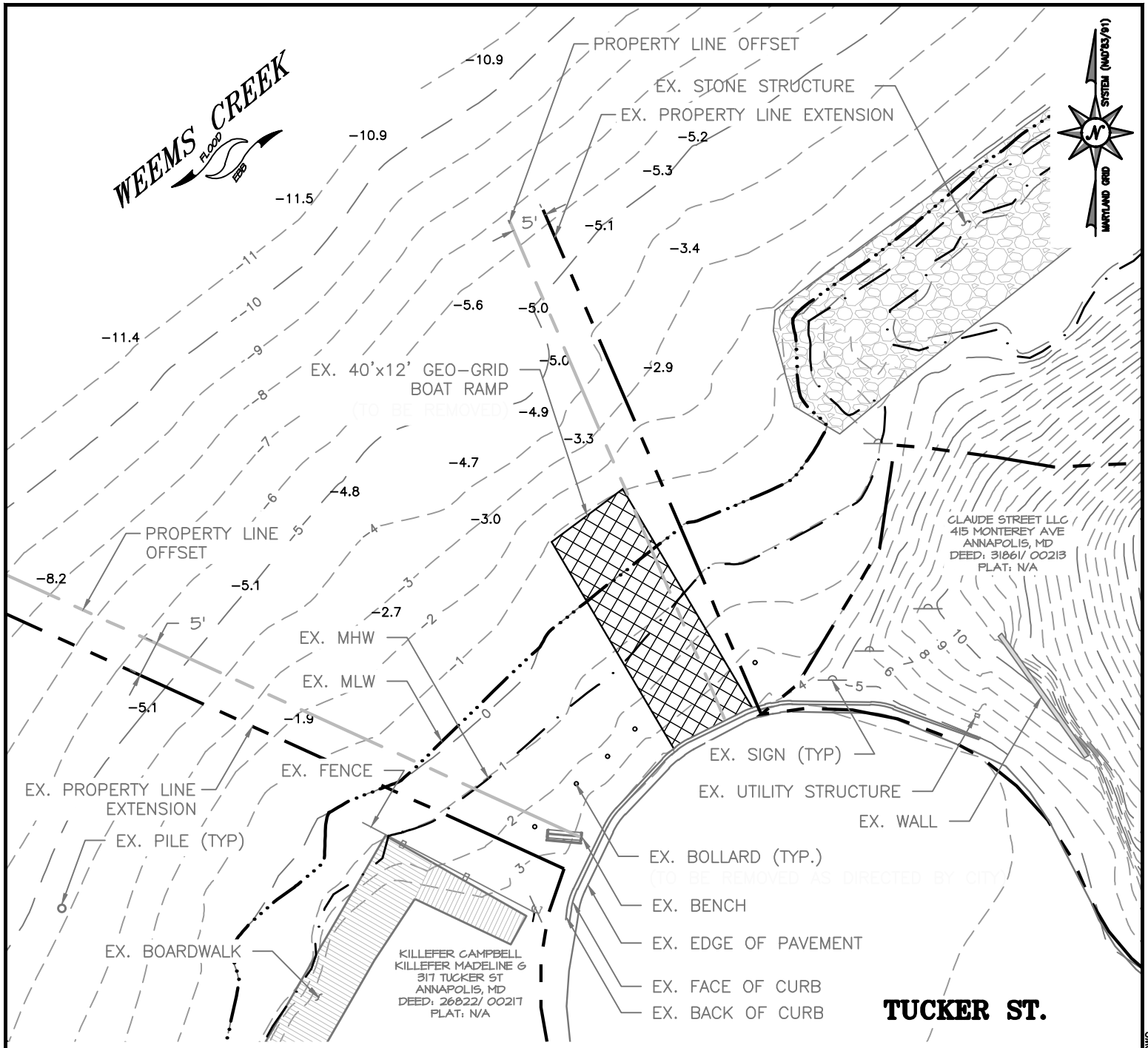


**Bayland**  
 Consultants & Designers, Inc.  
*"Integrating Engineering and Environment"*

7455 New Ridge Road, Suite 1 Phone: (410) 694-9401  
 Hanover, Maryland 21076 Fax: (410) 694-9405  
 www.baylandinc.com

Z:\B\_45001\_TUCKER\_STREET\_BOAT\_RAMP\CAD\_FILES\SHEET\_FILES\JPA01.DWG

**WEEMS CREEK**  
FLOOD EBB



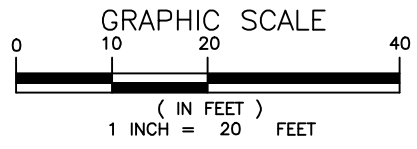
NOTE: PROPERTY DATA SHOWN IS BASED ON PUBLICLY AVAILABLE ANNE ARUNDEL COUNTY GIS DATA.

**TUCKER STREET BOAT RAMP  
AT  
TUCKER STREET  
ANNAPOLIS, ANNE ARUNDEL COUNTY**

APPL. BY: CITY OF ANNAPOLIS DPW C/O BURR M. VOGEL

**EXISTING CONDITIONS**

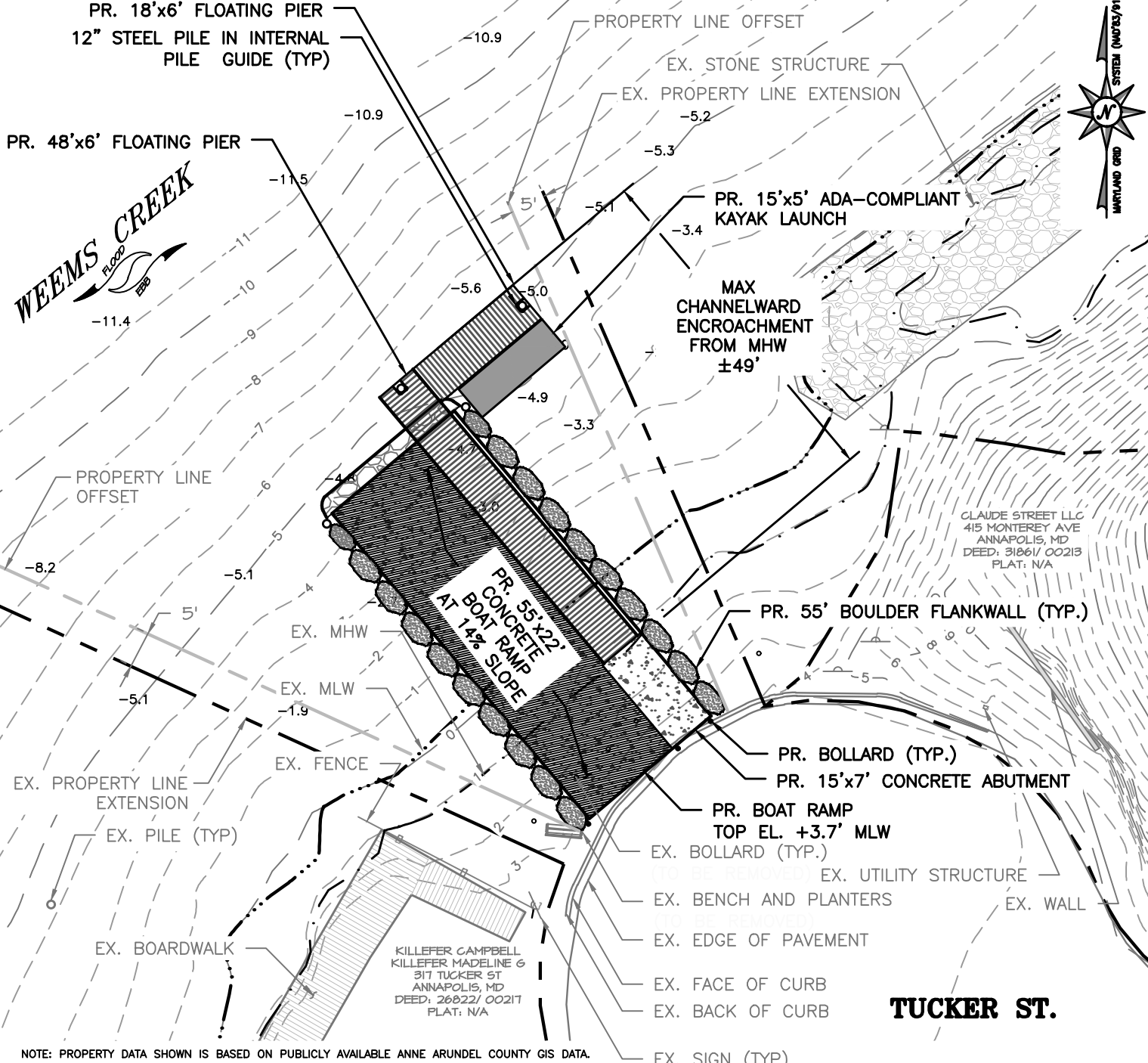
**23-WL-0496**  
**202360790**  
**178539**  
**1/26/24**  
**MT**  
**2 of 5**



**Bayland**  
Consultants & Designers, Inc.  
"Integrating Engineering and Environment"

7455 New Ridge Road, Suite 1 Phone: (410) 694-9401  
Hanover, Maryland 21076 Fax: (410) 694-9405  
www.baylandinc.com

Z:\B\_45001\_TUCKER\_STREET\_BOAT\_RAMP\CAD\_FILES\SHEET\_FILES\JPA\B\_45001\_JPA02.DWG



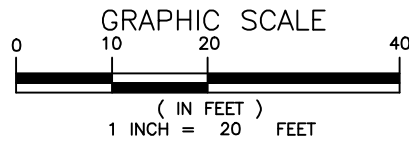
NOTE: PROPERTY DATA SHOWN IS BASED ON PUBLICLY AVAILABLE ANNE ARUNDEL COUNTY GIS DATA.

**TUCKER STREET BOAT RAMP  
AT  
TUCKER STREET  
ANNAPOLIS, ANNE ARUNDEL COUNTY**

APPL. BY: CITY OF ANNAPOLIS DPW C/O BURR M. VOGEL

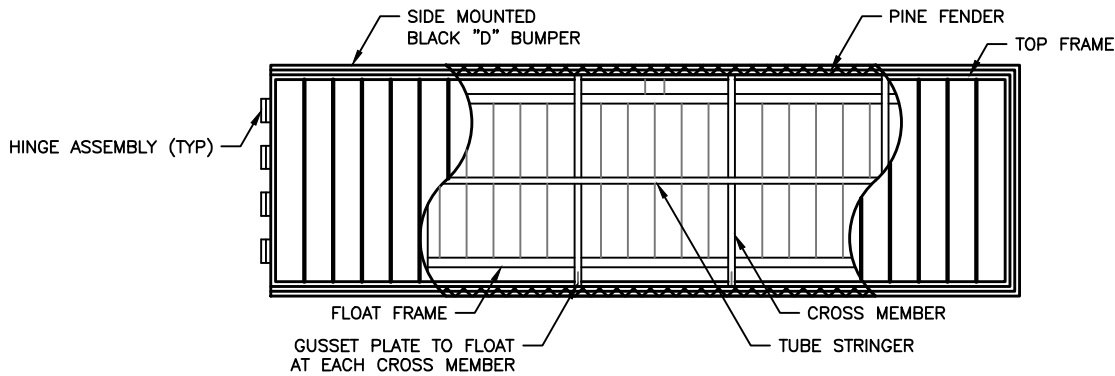
**SITE PLANS**

**23-WL-0496**  
**202360790**  
  
**178539**  
**1/26/24**  
**MT**  
**3 of 5**

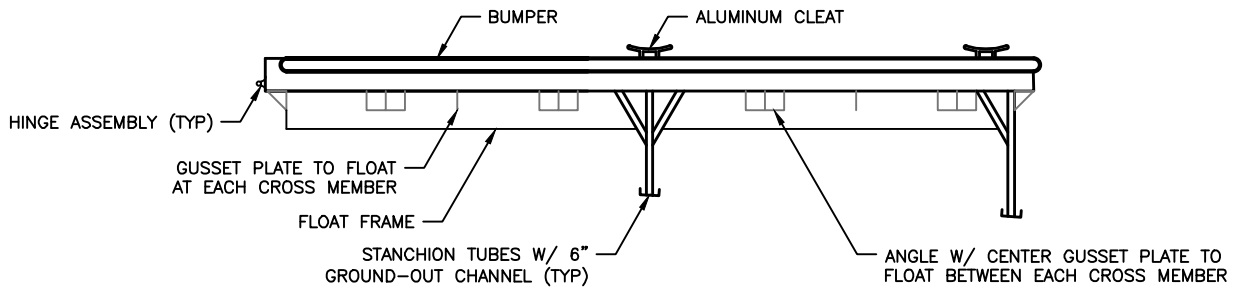


**Bayland**  
**Consultants & Designers, Inc.**  
*"Integrating Engineering and Environment"*  
 7455 New Ridge Road, Suite 1 Phone: (410) 694-9401  
 Hanover, Maryland 21076 Fax: (410) 694-9405  
 www.baylandinc.com

Z:\B\_45001\_TUCKER\_STREET\_BOAT\_RAMP\CAD\_FILES\SHEET\_FILES\JPA\B\_45001\_JPA03.DWG



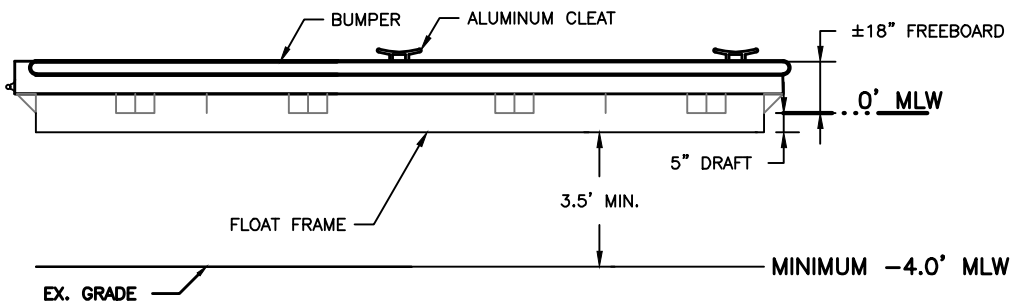
PLAN



PROFILE

**TYPICAL FLOATING PIER AT BOAT RAMP DETAIL**

SCALE: NTS



PROFILE

**TYPICAL FLOATING PIER DETAILS**

SCALE: NTS



**PHOTO OF FLOATING KAYAK LAUNCH**

SCALE: NTS

23-WL-0496  
202360790  
178539  
1/26/24  
MT  
4 of 5

TUCKER STREET BOAT RAMP  
AT  
TUCKER STREET  
ANNAPOLIS, ANNE ARUNDEL COUNTY

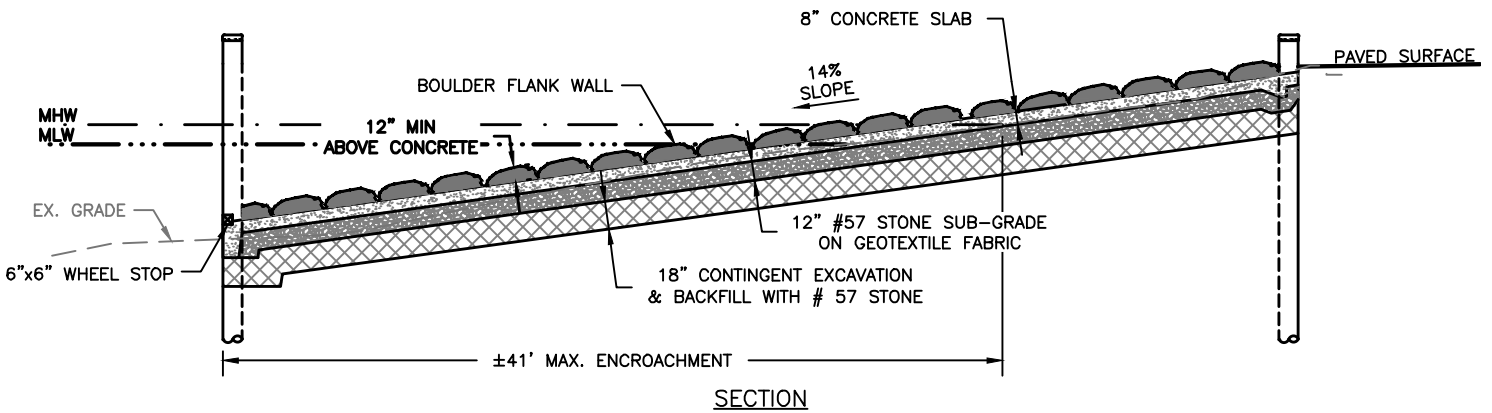
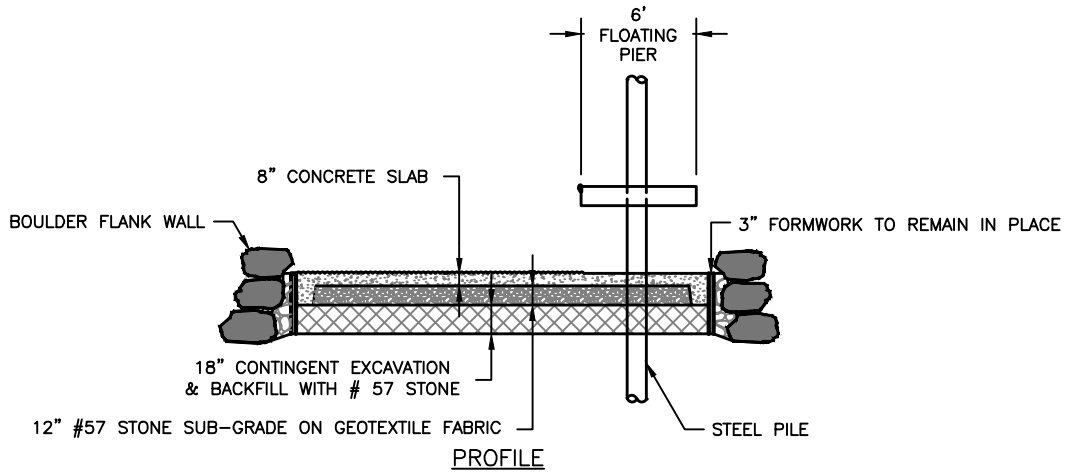
APPL. BY: CITY OF ANNAPOLIS DPW C/O BURR M. VOGEL

FLOATING PIER DETAILS

**Bayland**  
Consultants & Designers, Inc.  
"Integrating Engineering and Environment"

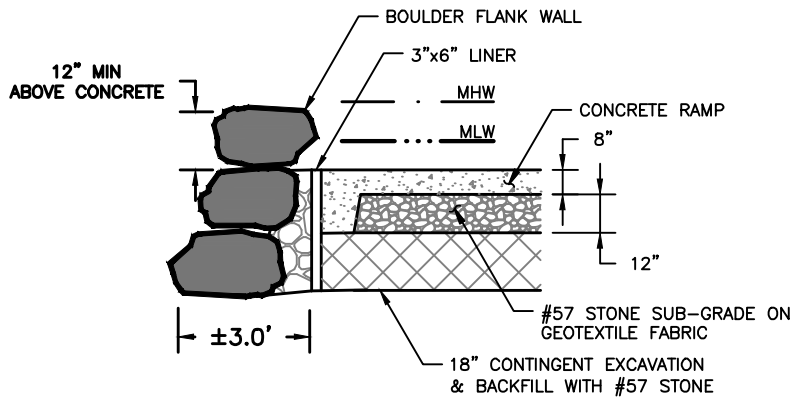
7455 New Ridge Road, Suite 1 Phone: (410) 694-9401  
Hanover, Maryland 21076 Fax: (410) 694-9405  
www.baylandinc.com

Z:\B\_45001\_TUCKER\_STREET\_BOAT\_RAMP\CAD\_FILES\SHEET\_FILES\JPA\B\_45001\_JPA04.DWG



**TYPICAL BOAT RAMP DETAILS**

SCALE: NTS



**TYPICAL FLANK WALL SECTION**

SCALE: NTS

TUCKER STREET BOAT RAMP  
AT  
TUCKER STREET  
ANNAPOLIS, ANNE ARUNDEL COUNTY

APPL. BY: CITY OF ANNAPOLIS DPW C/O BURR M. VOGEL

BOAT RAMP DETAILS & FLANK WALL SECTION

23-WL-0496  
202360790  
178539  
1/26/24  
MT  
5 of 5

**Bayland**  
Consultants & Designers, Inc.  
"Integrating Engineering and Environment"

7455 New Ridge Road, Suite 1 Phone: (410) 694-9401  
Hanover, Maryland 21076 Fax: (410) 694-9405  
www.baylandinc.com

Z:\B-45001\_TUCKER-STREET\_BOAT\_RAMP\CAD\_FILES\SHEET\_FILES\JPA\B-45001\_JPA06.DWG